

IZIT d.o.o.

3D TECHNOLOGIES REFERENCE CENTER



## IZIT d.o.o.

- Company was founded in 1990.
- Know-How:
  - Virtual prototypes (CAD models)
  - Education and counseling for CAD softwares
  - Reverse Engineering
  - Function analysis (FEM, CFD...)
  - Stratasys certified partner
- Services:
  - 3D modeling
  - Technical – technological development
  - 3D printing (LOM, FDM, PolyJet, LDP)
  - Analyzes
  - Implementations of CAD/CAE/CAM
  - Implementations of 3D printing technology

**stratasys**<sup>®</sup>  
CERTIFIED PARTNER



**3D grupa**  
**za 3D svijet**  
klaster 3D tehnologija  [www.3d-grupa.hr](http://www.3d-grupa.hr)



**IZIT**  
[www.izit.hr](http://www.izit.hr)

## 3D grupa – 3D technologies reference center

### Office

- Fallerovo šetalište 22, 10000 Zagreb
- tel. +385 1 579 0 750
- fax +385 1 579 0 751
- web [www.3D-grupa.hr](http://www.3D-grupa.hr)
- mail [info@3D-grupa.hr](mailto:info@3D-grupa.hr)

### Founded in 2010

founders: Izit d.o.o., Tehnoprogres d.o.o. i Topomatika d.o.o.

### Aims

„Implementation of 3D technology for enhancement of the innovation and competitiveness of the regional industry and other activities to development and production”

### Vision

„Become a regional reference center for 3D technology that will provide support and training to industry and other activities”



## 3D grupa – 3D technologies reference center

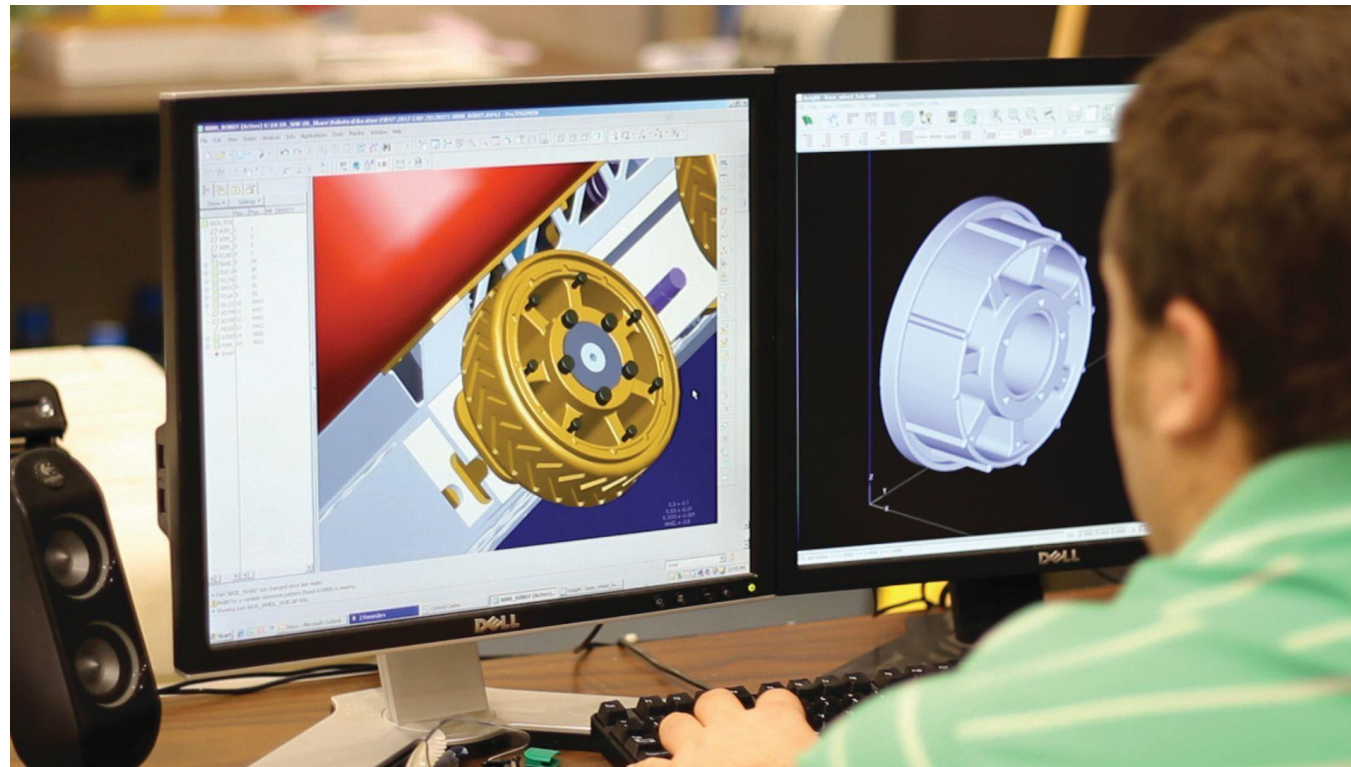
### REFERENCE:

AD PLASTIK ZAGREB • ADRIA DIESEL • AKRAPOVIČ • ALATI BREZJE • ALATI STUHNE • ALBA • ALMOS LJEVAONICA • ALSTOM • ARTDOR • AZ CROBUS • BARDI GRUPA • BEKTO-PRECISA • BOS GRUBAR • BRODOGRADILIŠTE I MARINA BETINA • BTM MEDIA • CAD PROFESSIONAL SYSTEMS • CIMOS • CIRCO MES • CONVENTUS • CROATIA PUMPE NOVA • D&Z • DALEKOVOD • DALIJA • DOK-ING • DOMEL • DOMEX • DRAVA INTERNATIONAL • ĐURO ĐAKOVIĆ • ELEKTROMONT • EKO MEĐIMURJE • ELAN • ELODA • EMCO • EMO - ORODJARNA • ESCO - FOFONJKA • FAKULTET STROJARSTVA I BRODOGRADNJE ZAGREB • FAKULTET TEHNIČKIH NAUKA NOVI SAD • FAKULTETA ZA GRADBENIŠTVO IN GEODEZIJO LJUBLJANA • FAKULTETA ZA STROJNIŠTVO LJUBLJANA • FAKULTETA ZA STROJNIŠTVO MARIBOR • FEROMETAL • FEROPLAST • FERRO PREIS • FESB SPLIT • FIAT AUTOMOBILI SRBIJA • G.M.BOS GRUBAR • KLESARSTVO LUCIĆ • GOMMA LINE • GORENJE ORODJARNA • GRAĐEVINSKI FAKULTET U ZAGREBU • HAIX - OBUČA • HELIYACHTS • HELLA SATURNUS SLOVENIJA • HEP-PROIZVODNJA • HIDROELEKTRANE NA TREBIŠNJICI • HITTNER • HRVATSKI NOVČARSKI ZAVOD • HRVATSKI RESTAURATORSKI ZAVOD • HS PRODUKT • IGH INSTITUT • IKOM • INETEC • INPIRIO • INSTRUMENTARIA • IPNG • LEKTRIKA • ISKRA MEHANIZMI • IVANAL • IVANIĆPLAST • IŽANKA-ZADAR • KLEX • KOLEKTOR GROUP • KONČAR • KOVINARSTVO BUČAR • KOVINOPLASTIKA LOŽ • KROKO INTERNATIONAL • KUNA METAL • LABORES SOLIS • LIPIKGLAS • LIVNICA PRECIZNIH ODLIVAKA • LOLA INSTITUT BEOGRAD • LTH ULITKI • LJEVAONICA BUJAN • M SAN GRUPA • MARIBORSKA LIVARNA MARIBOR • MAŠINSKI FAKULTET BEOGRAD • MAŠINSKI FAKULTET KRAGUJEVAC • MAŠINSKI FAKULTET KRALJEVO • MEGU-PLAST • METALAC POSUDE • METALSKA INDUSTRIJA VARAŽDIN • NCP • NEXUS • NMP-PRODUKT • OMCO • OMEGA BREZNICA • ORODJARSTVO GORJAK • OTTO BOCK ADRIA • P.P.C. BUZET • PALMEX • PASTOR INŽENJERING • PES • PLAMTEX • PLASTOMETALIK-VLAŠIĆ • PLUTO • PPC CIMOS • PROTEKTOR • PSG • RIMAC AUTOMOBILI • RIZ • RS METALI • RUDEX • SCAM MARINE • SELK • SIGA INTERNATIONAL • SOEHNER • STEKLARNA ROGAŠKA • STRAŽAPLASTIKA • STROJOPROMET - ZAGREB • STROJOTEHNIKA • ŠEŠTAN BUSCH • ŠUMARSKI FAKULTET U ZAGREBU • TABLETOP • TALUM ULITKI • TECOJN SISTEM • TECOS • TEH-CUT • TEHNIČKI FAKULTET U RIJECI • TEHNOPRO • TEHNOTRIK - ZAGREB • TEKSTILNO TEHNOLOŠKI FAKULTET ZAGREB • TELEGRA • TERA TEHNOPOLIS • TMD AGS • TPS • TROLIST • TVORNICA PLINSKIH TURBINA • TVORNICA TURBINA - TTK • TŽV GREDELJ • ULJANIK STROJOGRAĐNJA • UNIOR • VASCOM • VENTILATOR - TVUS • VIBEL • VISIOBIKE • ZAVOD ZA GRADBENIŠTVO • ZLATARNA KRIŽEK • YAZAKI

### First class services

## 3D CAD Modeling

- Solid and surface modeling of your products
- Reverse modeling
- Parametric CAD modeling
- Exact CAD modeling



Concept



**The Stratasys Idea Series**

It's not just a 3D printer.  
It's an idea engine.



Prototyping



**The Stratasys Design Series**

The power of prototyping.  
Maximized.



Manufacturing



**The Stratasys Production Series**

Production.  
Without the line.





## Reverse Engineering / 3D Digital Data Processing

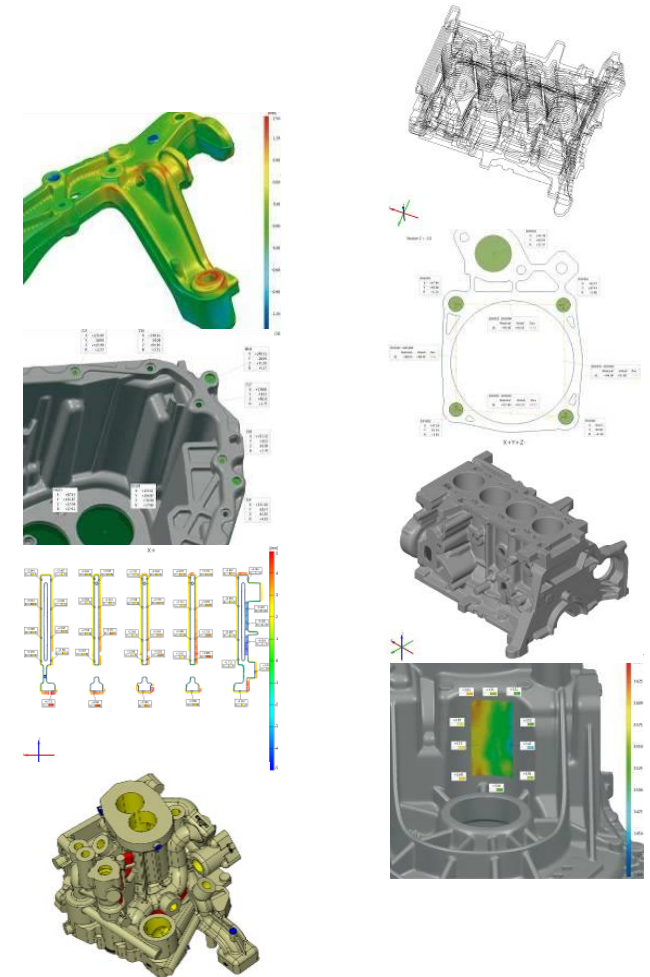
"Reverse engineering is the process of taking a finished product and reconstructing design data in a format from which new parts can be produced."

The Society of Manufacturing Engineers (SME)



## 3D Optical Measurement Technologies / 3D Deformation Analysis and Simulations

- Repeatable, traceable and highly accurate 3D measurement service. Capable of measuring parts up to 3m x 3m weighing up to 2 tonne. Get a more in-depth understanding of your parts! Part-to-CAD Surface Comparisons, full GD&T, 2D & 3D reporting and much more...
- We are able to offer a state of the art non-contact measurement solution to define motion, vibrations and deformations in either high rate or long-term applications, for an unlimited amount of 3D points





## 3D Technologies - Overview



**IZIT d.o.o.**

Fallerovo šetalište 22

10 000 Zagreb

+385 1 366 7029

**info@izit.hr**